

GENERAL PURPOSE ENGINE

LC192F(D)



零件目录使用说明(Instruction for use of parts catalogue)

本零件目录是根据2020年1月所能得到的最新资料编制而成的。

This parts catalogue was prepared based on the latest information available as of January 2020.

请注意2020年1月以后本零部件目录的修订通知。

See the parts catalogue news for any revision that is made after January 2020.

当订购零件时，一定要明确指出其零件编号。

Always specify the part number when ordering a part.

注意本零件目录所给出的图形可能与实际零件外形有所不同。

Note that the illustrations can differ from the actual parts in shape.

当需要对零部件目录的内容进行更改或增加时，本公司将在适当的时间出版修订版，为保证在任何时候都可以使用到最新版本的零部件目录建议拥有最新的修订版本。如果要检查修订版本是否已经发行，请直接与LONCIN联系。

When modifications or additions to this parts catalogue are made, a revised edition will be issued at an appropriate time, we recommend obtaining such revisions in order to keep your parts catalogue up-to-date at all times. To check whether a parts catalogue revision has been issued, please contact your LONCIN distributor.

缩写词

ASSY. 总成 COMP. 组合 R. 右 L. 左 A. C. 交流电 D. C. 直流电
IN. 进气 EX. 排气 FR. 前部 RR. 后部 HEX. 六角

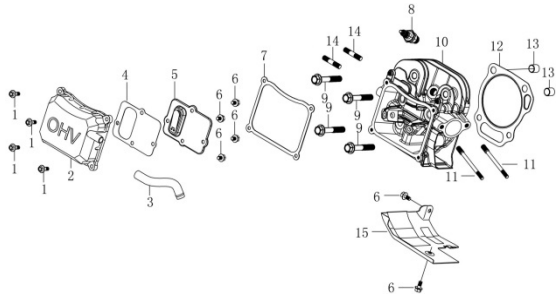
Abbreviations

ASSY. Assembly COMP. Complete R. Right L. Left A. C. Alternating current
D. C. Direct current IN. Inlet EX. Exhaust FR. Front RR. Rear HEX. Hexagonal

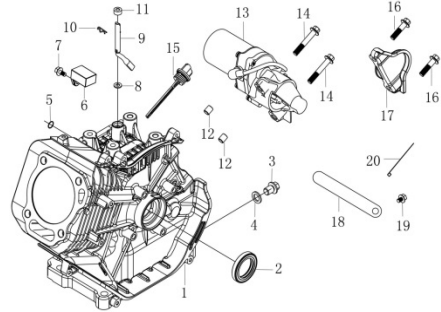
“零件数量 (Quantity)”栏中数字表示该方框所述部分的数量。

The number given in the “Quantity.” column indicates the quantity of parts.

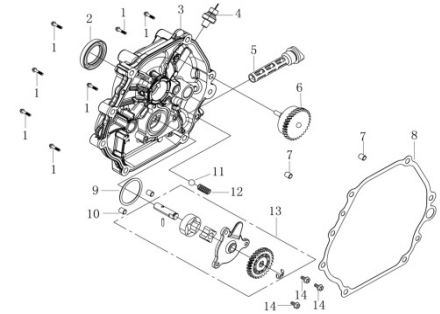
汽缸头(CYLINDER HEAD)



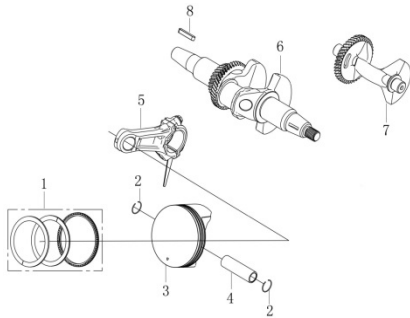
曲轴箱(CRANK CASE)



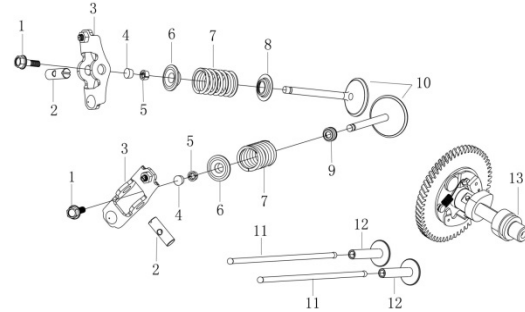
曲轴箱盖(CRANKCASE COVER)



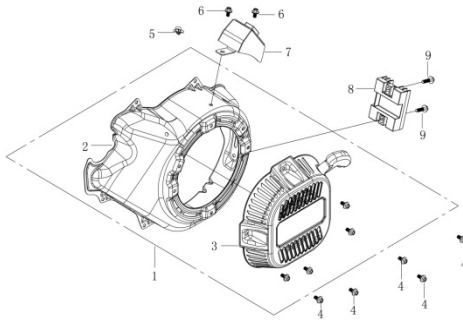
曲轴/活塞连杆(CRANKSHAFT/PISTON)



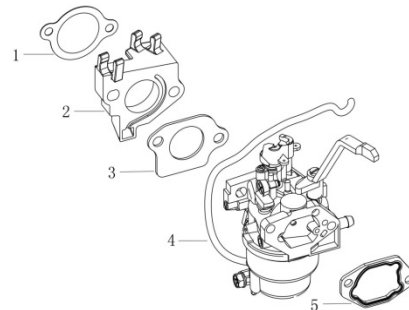
配气系统(ROCKER,CAMSHAFT)



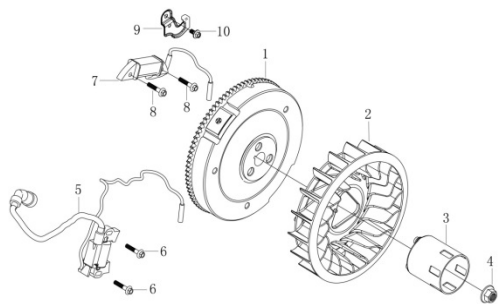
起动器部件(STATER SUBASSEMBLY)



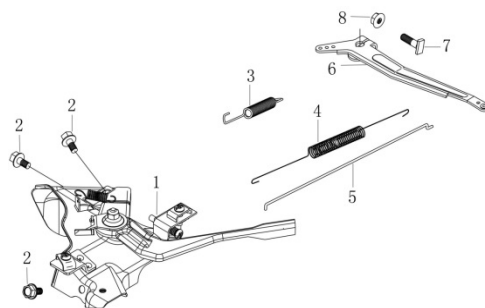
化油器(CARBURETOR)



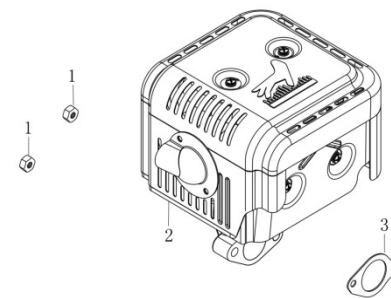
飞轮/点火线圈 (FLYWHEEL/COIL ASSY.)



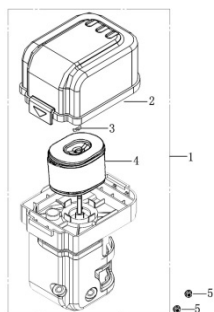
调速控制系统 (CONTROL SYSTEM)



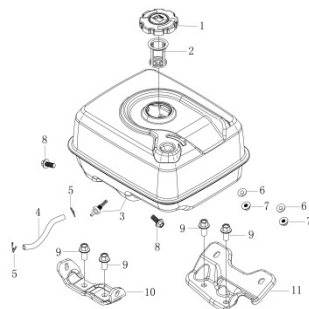
消音器 (MUFFLER)

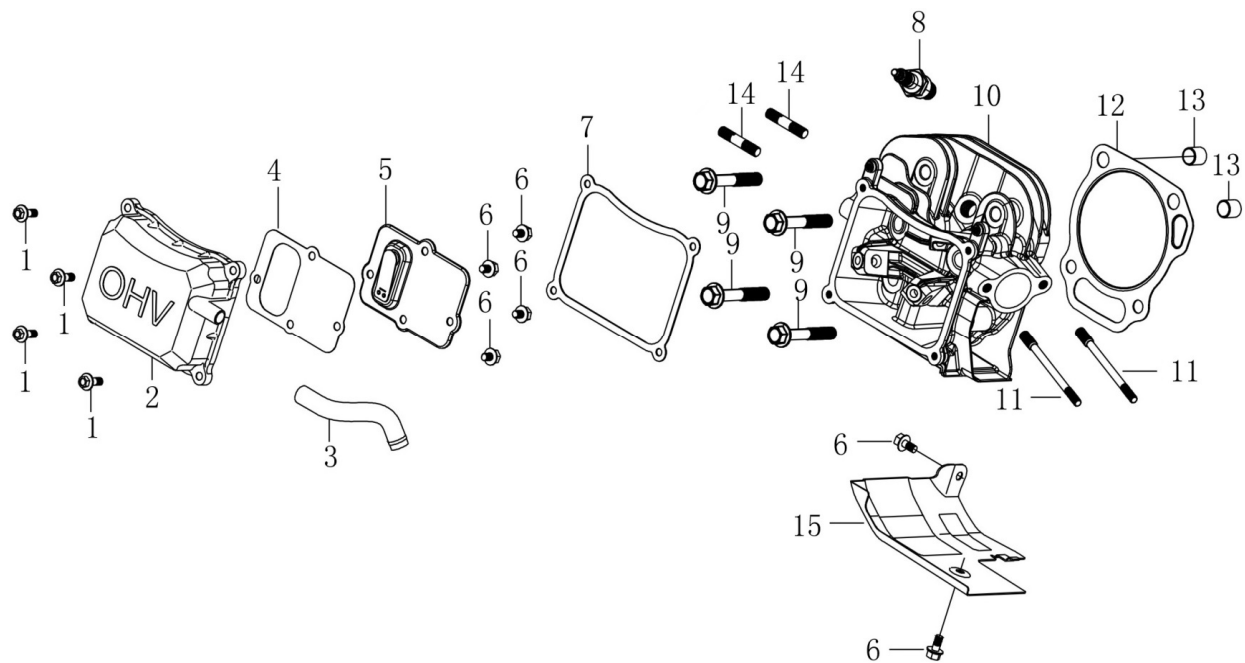


空滤器 (AIR CLEANER)



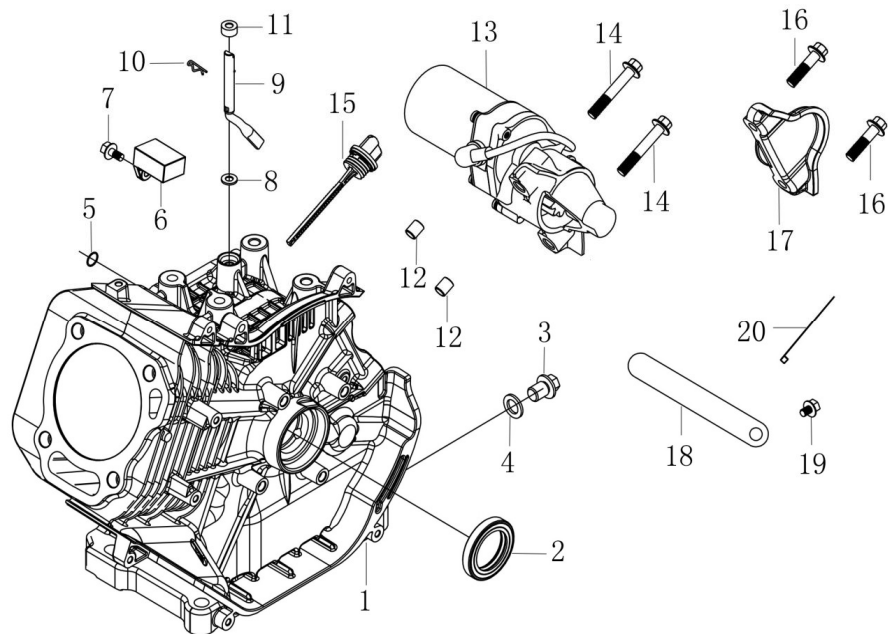
燃油箱 (FUEL TANK)





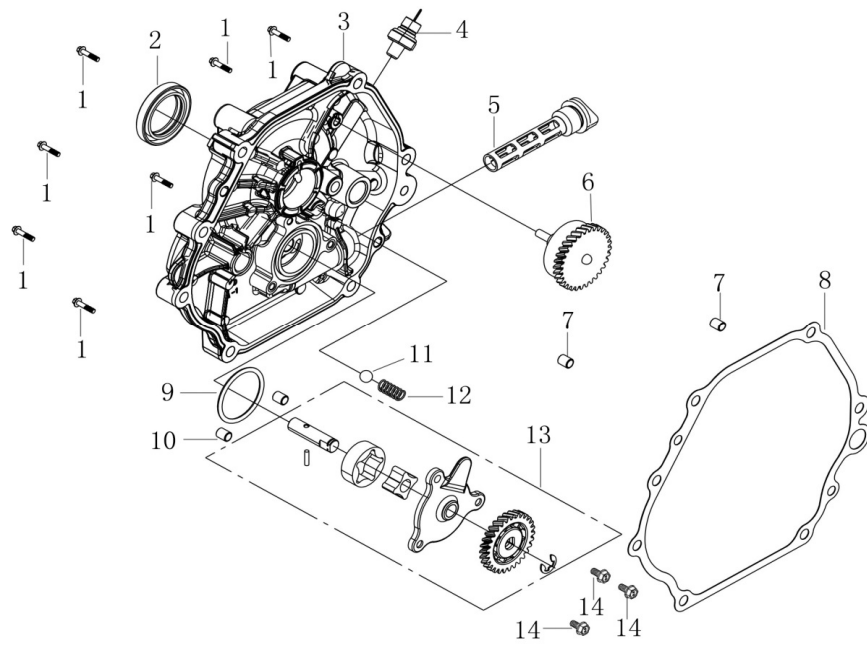
导风部件(DIVERISION ASSY.)

序号 No.	零部件图号 Part No.	零部件图号 Part No.	零部件名称	Description	数量 Quantity
1	380140077-0005	380140077-0005	六角头法兰面螺栓	BOLT,FLANGE M6×20	4
2	120230190-0001	120230190-T196	气缸头盖组合	COVER COMP.,HEAD	1
3	380741427-0001	380741427-T199	通气管	TUBE , BREATHER	1
4	110850029-0001	110850029-T196	呼吸槽密封垫	PACKING,BREATHER CHAMBER	1
5	110840040-0001	110840040-T196	呼吸槽盖板	CAP,BREATHER CHAMBER	1
6	380140039-0003	380140039-0003	六角头法兰面螺栓	BOLT,FLANGE M6×8	6
7	120250054-0001	120250054-T124	气缸头盖密封垫	PACKING , HEAD COVER	1
8	270960025-0001	270960025-0001	火花塞	PLUG ,SPARK (F7TC)	1
9	380140337-0001	380140337-0001	六角头法兰面螺栓	BOLT ,FLANGE M10×80	4
10	120080789-0001	120080789-T196	气缸头	HEAD COMP.,CYLINDER	1
11	380180091-0001	380180091-T110	双头螺栓	BOLT,STUD,IN.	2
12	120150249-0001	120150249-T196	气缸头密封垫	GASKET , CYLINDER	1
13	380600116-0001	380600116-T110	定位销	PIN , DOWEL φ12×20	2
14	380180099-0001	380180099-T110	双头螺栓	BOLT , STUD , EX.	2
15	160190117-0001	160190117-T196	空气导流罩	SHROUD COMP	1



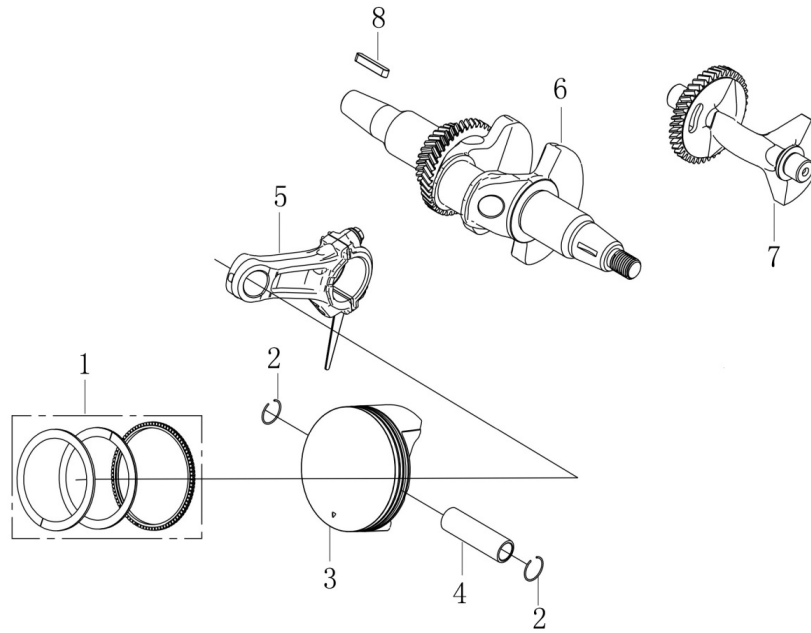
曲轴箱体(CRANK CASE)

序号 No.	零部件图号 Part No.	零部件图号 Part No.	零部件名称	Description	数量 Quantity
1	110810436-0001	110810436-T199	曲轴箱体	CRANK CASE	1
2	380650337-0001	380650337-T110	油封 $\phi 35 \times \phi 52 \times 7$	OIL SEAL $\phi 35 \times \phi 52 \times 7$	1
3	110260024-0001	110260024-T110	密封螺塞	BOLT, DRAIN PLUG	1
4	380450516-0001	380450516-T110	平垫圈	WASHER, DRAIN PLUG	1
5	380840812-0001	380840812-T372	密封圈	"O" RING	1
6	281890014-0001	281890014-T196	机油保护器	ALERT UNIT, OIL	1
7	380140077-0005	380140077-0005	六角头法兰面螺栓	BOLT, FLANGE M6×20	1
8	380450522-0001	380450522-T110	平垫圈	WASHER	1
9	171630003-0001	171630003-T110	调速臂	SHAFT, GOVERNOR ARM	1
10	381350004-0001	381350004-T040	销夹	PIN, LOCK	1
11	380650339-0001	380650339-T110	油封 $8 \times 14 \times 4$	OIL SEAL	1
12	380600123-0001	380600123-0001	定位销 $\phi 10 \times 12$	PIN, DOWEL	2
13	270350100-0001	270350100-T196	起动机部件	STARTER MOTOR	1
14	380140148-0005	380140148-0005	六角头法兰面螺栓	BOLT, FLANGE	2



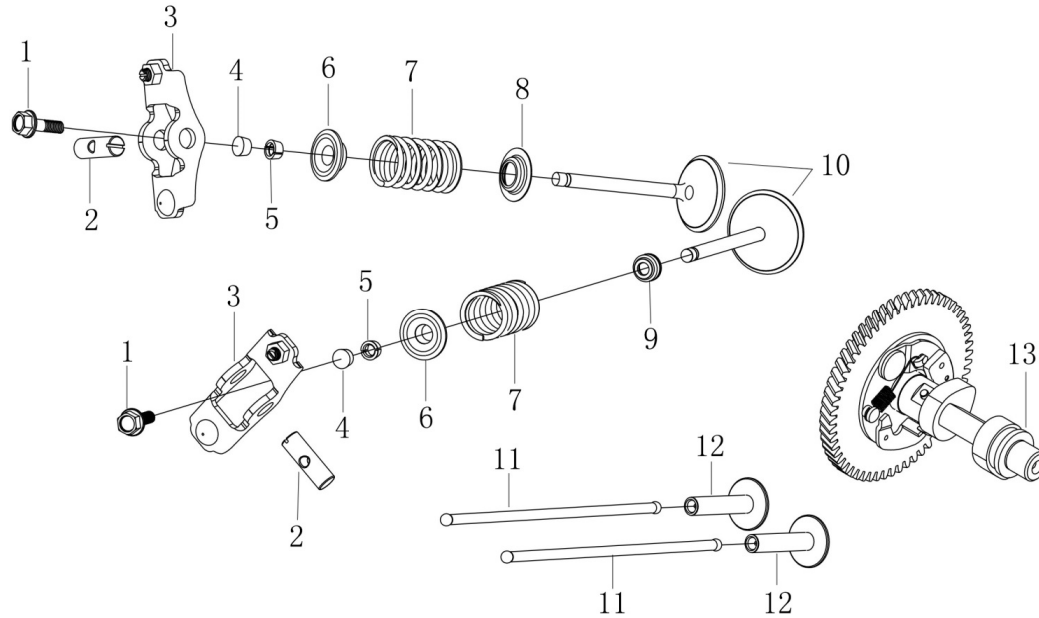
曲轴箱盖 (CRANK CASE COVER)

序号 No.	零部件图号 Part No.	零部件图号 Part No.	零部件名称	Description	数量 Quantity
1	380140005-0006	380140005-0006	六角头法兰面螺栓	BOLT,FLANGE M8×40	7
2	380650337-0001	380650337-T110	油封	OIL SEAL φ35×φ52×7	1
3	110820299-0001	110820299-T196	曲轴箱盖	CASE COVER	1
4	283690002-0001	283690002-T390	油位报警器	OIL PRESSURE SENSOR	1
5	150290043-0001	150290043-T196	机油滤网	OIL FILLER ASSY.	1
6	171750045-0001	171750045-T196	调速齿轮部件	GOVERNOR ASSY.	1
7	380600119-0001	380600119-T110	定位销	PIN ,DOWEL φ8×12	2
8	110830071-0001	110830071-T196	曲轴箱盖密封垫	PACKING ,CASE COVER	1
9	380840925-0001	380840925-T470	密封圈	"O" RING	1
10	380600121-0002	380600121-0002	定位销	PIN, DOWEL φ8×10	2
11	380640016-0001	380640016-0001	钢球	FRICTION BALL	1
12	381150716-0001	381150716-T196	压簧	SPRING, FRICTION	1
13	150010136-0001	150010136-T199	机油泵部件	OIL PUMP ASSY.	1
14	380140077-0005	380140077-0005	六角头法兰面螺栓	BOLT,FLANGE M6×20	3



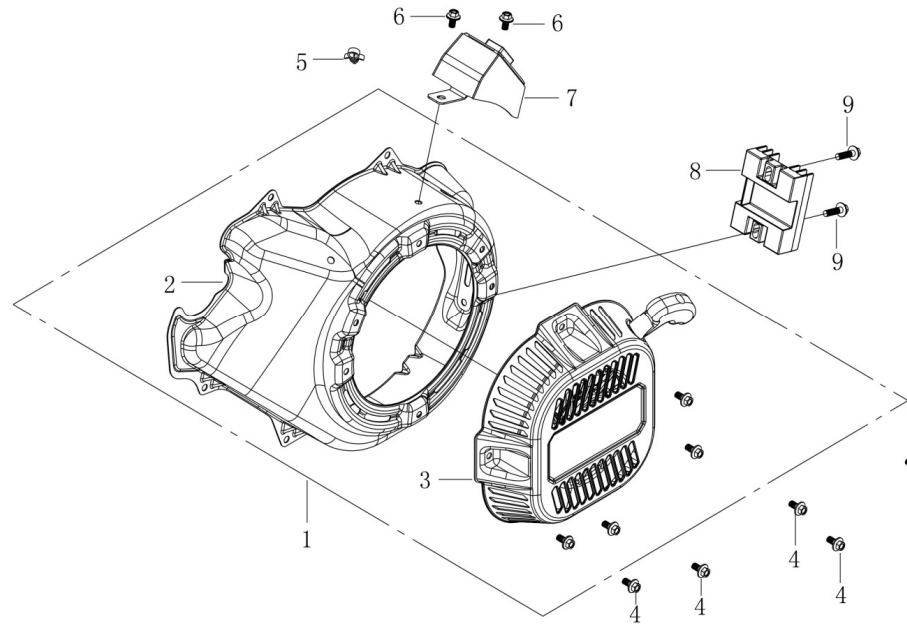
曲轴/活塞 (CRANKSHAFT/PISTON)

序号 No.	零部件图号 Part No.	零部件图号 Part No.	零部件名称	Description	数量 Quantity
1	130070251-0001	130070251-T196	活塞环组合	RING SET	1
2	380560057-0001	380560057-T110	钢丝挡圈	CLIP,PISTON PIN	2
3	130030290-0001	130030290-T196	活塞	PISTON	1
4	130060080-0001	130060080-T196	活塞销	PIN,PISTON	1
5	130150143-0001	130150143-T196	连杆	ROD ASSY.,CONNECTING	1
6	130290722-0001	130290722-T196	曲轴部件	CRANKSHAFT COMP	1
7	130450051-0001	130450051-T196	平衡轴	WEIGHT,BALANCER	1
8	380620035-0001	380620035-0001	键	KEY	1



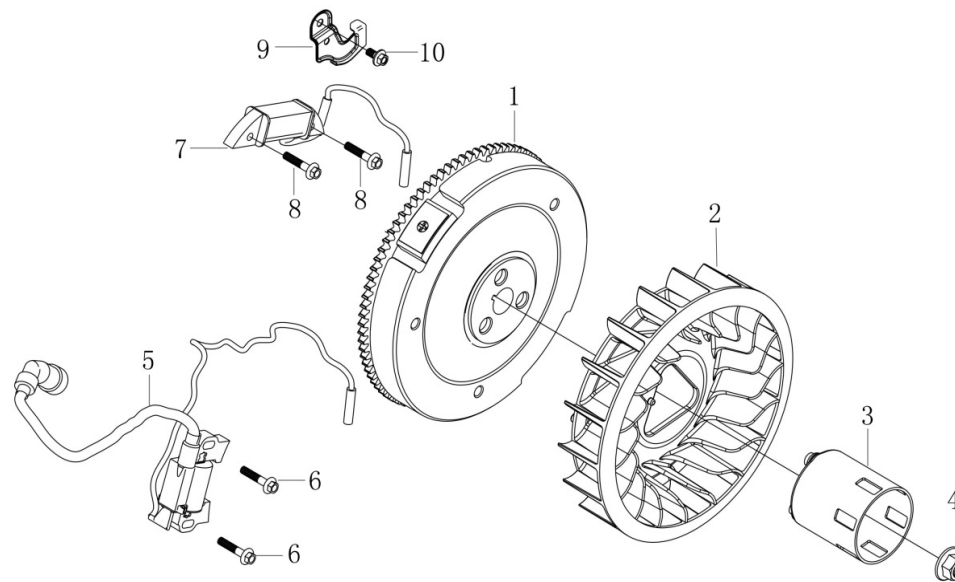
配气系统 (ROCKER,CAMSHAFT)

序号 No.	零部件图号 Part No.	零部件图号 Part No.	零部件名称	Description	数量 Quantity
1	380140077-0005	380140077-0005	六角头法兰面螺栓	BOLT,FLANGE M6×20	2
2	140510059-0001	140510059-T124	气门摇臂轴	VALVE ROCKER SHAFT	2
3	140450069-0001	140450069-T124	气门摇臂组合	ROCKER ARM ASSY	2
4	140320002-0001	140320002-T110	气门调整帽	ROTATOR,VALVE	2
5	140390015-0001	140390015-T11D	气门锁夹	LOCKER,VALVE	4
6	140380021-0001	140380021-T11D	气门弹簧座	RETAINER,VALVE SPRING	2
7	140340025-0001	140340025-T11D	气门内弹簧	SPRING,VALVE	2
8	140360010-0001	140360010-T110	气门内弹簧座圈	SEAT,VALVE SPRING	1
9	140400012-0001	140400012-T110	挡油罩	SEAL,VALVE STEM	1
10	500550063-0001	500550063-T124	气门套件	VALVE ASSY.	1
11	140670067-0001	140670067-T196	推杆组合	ROD,PUSH	2
12	140690004-0001	140690004-T110	挺柱	LIFTER VALVE	2
13	140020183-0001	140020183-T196	凸轮轴组合	CAMSHAFT ASSY.	1



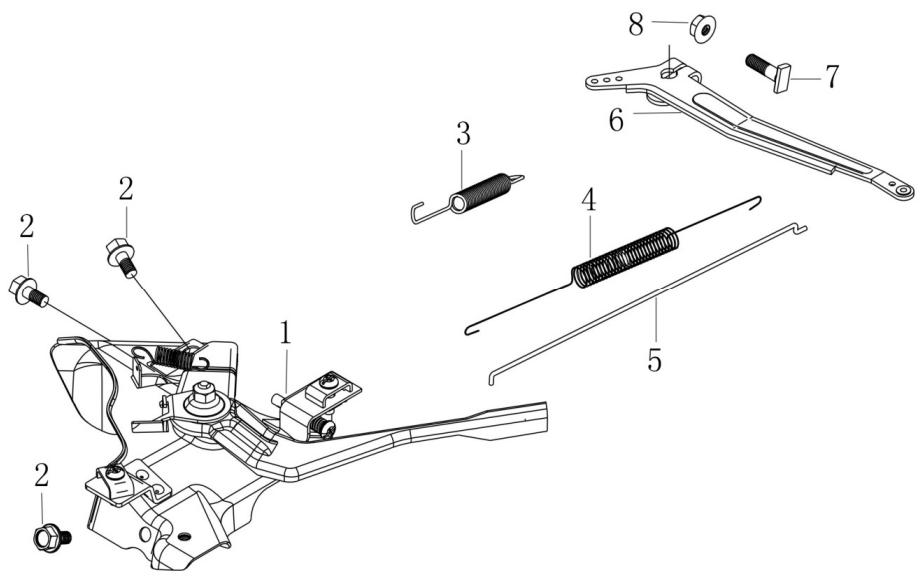
起动机组件 (STARTER SUBASSEMBLY)

序号 No.	零部件图号 Part No.	零部件图号 Part No.	零部件名称	Description	数量 Quantity
1	193490548-0002	193490548-T196	手起动机组件	RECOIL STARTER COMP.	1
2	160210142-0001	160210142-T196	风扇罩部件	COVER COMP.,FAN	1
3	193500182-0001	193500182-T196	手起动机部件	STARTER ASSY.	1
4	380140067-0003	380140067-0003	六角头法兰面螺栓	BOLT,FLANGE M6×12	5
5	380930027-0001	380930027-0001	定位线卡	LOCATION CABLE CLIP	1
6	380140039-0003	380140039-0003	六角头法兰面螺栓	BOLT,FLANGE M6×8	2
7	271050072-0001	271050072-T196	启动控制盒	START CONTROL BOX	1
8	270880303-0001	270880303-T196	调压整流器	VOLTAGE REGULATING RECTIFIER	1
9	380140077-0005	380140077-0005	六角头法兰面螺栓	BOLT,FLANGE M6×20	2



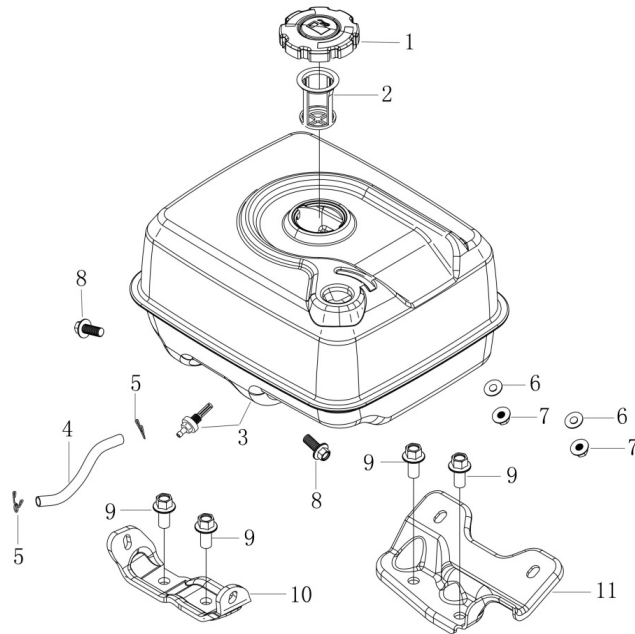
转子部件/点火线圈 (FLYWHEEL/COIL ASSY.)

序号 No.	零部件图号 Part No.	零部件图号 Part No.	零部件名称	Description	数量 Quantity
1	270020444-0001	270020444-T196	磁电机转子部件	FLYWHEEL COMP	1
2	160180041-0001	160180041-T196	叶轮	FAN,COOLING	1
3	193590039-0001	193590039-T196	起动盘	PULLEY,STARTER	1
4	380370079-0001	380370079-T381	六角法兰面螺母	NUT,SPECIAL	1
5	270920467-0001	270920467-T196	点火线圈	COIL ASSY.,IGNITION	1
6	380140103-0004	380140103-0004	六角头法兰面螺栓	BOLT,FLANGE,M6×25	2
7	270190052-0001	270190052-T196	充电线圈部件	COIL ASSY.,CHARGE	1
8	380140054-0003	380140054-0003	六角头法兰面螺栓	BOLT,FLANGE,M6×30	2
9	270280034-0001	270280034-T196	线束压板	CLAMPER,CORD	1
10	380140039-0003	380140039-0003	六角头法兰面螺栓	BOLT,FLANGE,M6×8	1



调速控制系统 (CONTROL SYSTEM)

序号 No.	零部件图号 Part No.	零部件图号 Part No.	零部件名称	Description	数量 Quantity
1	171680198-0001	171680198-T199	油门操纵手柄组合	CONTROL ASSY.	1
2	380140067-0003	380140067-0003	六角法兰面螺栓M6×12	BOLT, FLANGE	3
3	171600151-0001	171600151-T199	调速弹簧	SPRING, GOVERNOR	1
4	171610025-0001	171610025-T470	节气门复位弹簧	SPRING, THROTTLE RETURN	1
5	171590054-0001	171590054-T199	油门拉杆	ROD, GOVERNOR	1
6	171620036-0002	171620036-T470	调速支架	ARM, GOVERNOR	1
7	380250002-0001	380250002-T040	调速支架固定(方头)螺栓	BOLT, QUADRATE HEAD M6×21	1
8	380370066-0001	380370066-0001	六角法兰面螺母M6	NUT, FLANGE	1



燃油箱 (FUEL TANK)

序号 No.	零部件图号 Part No.	零部件图号 Part No.	零部件名称	Description	数量 Quantity
1	170870074-0009	170870074-T153	油箱盖	CAP COMP.,FUEL FILLER	1
2	170720009-0001	170720009-T056	注油口滤网组合	FILTER,FUEL	1
3	170501543-0001	170501543-T199	油箱	TANK COMP.,FUEL	1
4	380751166-0001	380751166-T199	油管 4×8×230	TUBE,FUEL	1
5	380950188-0001	380950188-T040	管夹	CLIP,TUBE	2
6	380920086-0001	380920086-T040	橡胶平垫	WASHER,RUBBER	2
7	380370007-0004	380370007-0004	六角法兰面螺母	NUT,FLANGE	2
8	380140004-0004	380140004-0004	六角头法兰面螺栓	BOLT,FLANGE , M8×20	2
9	380140785-0001	380140785-0001	六角头法兰面螺栓	BOLT,FLANGE , M10×20	4
10	172840061-0001	172840061-T199	油箱安装支架 (前)	HOLDER,FUEL TANK	1
11	172840062-0001	172840062-T199	油箱安装支架 (后)	HOLDER,FUEL TANK	1



隆鑫通用动力股份有限公司

Loncin motor co., Ltd.

详细地址：重庆市九龙坡区九龙工业园区华龙大道99号

Add:No.99Hualong Road,Jiulongpo District,Chongqing,China

Tel:86 23 8980 5678/86 23 8980 8505

Fax:86 23 8906 7566

Email:service@loncinengine.com

Website:www.loncinengine.com

PRINTED IN CHINA